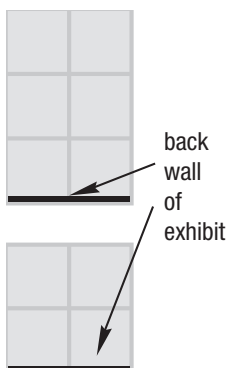
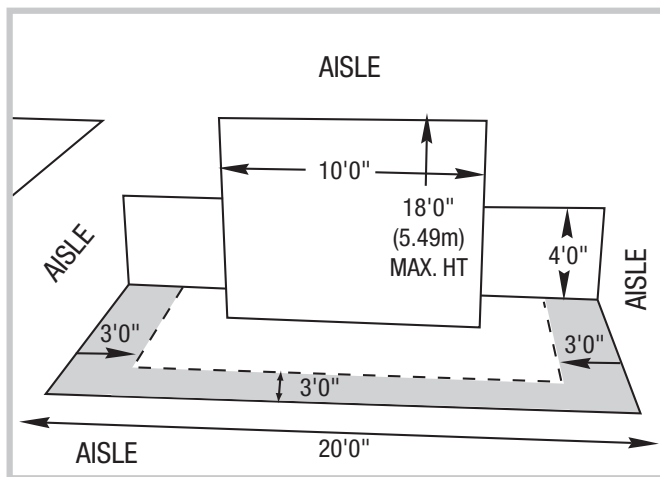
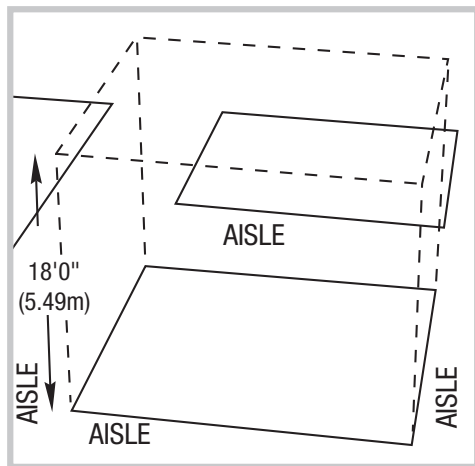


ISLAND BOOTHS

Four or more booths, which include four corner booths, with aisles on all four sides.



- As an island booth is automatically separated by the width of an aisle from all neighbouring exhibits, full use of the floorplan is permitted, with the exception that back walls are permitted on one side of the display only.

Maximum height restrictions for island booths without a back wall:

- If a back wall is not used the maximum height of any tables, counters or other exhibit fixtures or components is 18'0" (5.49m).
- Freeform exhibits may extend to all outer edges of the booth space, but the design of the booth must allow for see-through visibility and accessibility from all four sides.

Maximum height restrictions for island booths with a back wall:

- If a back wall is used, the maximum height in the centre back 10'0" (3.05m) of the booth is 18'0" (5.49m).
- The maximum height restrictions for any tables, counters or other exhibit fixtures or components in the first 3'0" (1.00m) from the aisle line is 4'0" (1.22m).
- An allowance may be made for such structures to rise to 12'0" (3.66m) in height if the middle section from 4'0" (1.22m) to 7'0" (2.13m) is see through/open to allow an unobstructed and clear view down the aisle. *Drawings of the plan must be submitted to the ODA's Education Core Committee before March 19th, 2010 for their review and approval.*

Exceptions to these regulations will not be considered. Any discrepancies from these published guidelines will have to be adjusted accordingly on-site.